

Manual.

Onion topping machine. AS 10.



© Copyright 2023, Hoopman Machines B.V. All rights reserved.

Holaras® is a registered trademark of Hoopman Machines B.V. - Aalten, NL.
No part of this publication may be reproduced and/or published by means of print, photocopy, microfilm or any other means without the prior written consent of Hoopman Machines B.V.

Please complete the information below as soon as you receive the Holaras machine. This information may be important in the event of faults and when ordering parts in the future.

Machine number	:
Type designation	:
Date of commissioning	: -.....-..... etc.

(Copy the data above from the type plate on your machine)

Hoopman Machines B.V.
Dinxperlosestraatweg 145
NL-7122 JP Aalten
The Netherlands

Tel. : +31(0) 543466224
E-mail : info@holaras.nl
Website : www.holaras.nl

Dealer company stamp:

Please note that the information in this manual is subject to change at any time without notice. Please also note that this manual may contain technical inaccuracies and typographical errors. Hoopman Machines B.V. makes every effort to prevent errors in this manual, but cannot guarantee that it is entirely free of errors. If you find any typographical errors or technical inaccuracies or if you have any suggestions, please let us know.

Illustrations and technical data are entirely without obligation. We reserve the right to make changes at any time without prior notice. The manufacturer cannot be held responsible for defects caused by incorrect use of the machine.

TABLE OF CONTENTS

1	EC Declaration	4
2	Technical information	5
2.1	Process description	5
2.2	Technical specifications.....	6
3	Safety	7
3.1	General safety information	7
3.2	Specific safety information.....	7
4	Siting and installation	8
4.1	Installation and positioning	8
4.2	Electrical connection.....	9
5	Operation.....	10
5.1	Operator panel.....	10
5.2	Protective devices.....	11
5.3	Starting the machine.....	12
5.4	Stopping the machine.....	12
5.5	Emergency stop and reset.....	12
6	Cleaning and maintenance.....	13
6.1	General information	13
6.2	Discharge belt.....	13
6.3	Shakers and buffers.....	14
6.4	The screen.....	14
6.5	The cutting blade unit	15
6.5.1	Replacing the blade holder.	15
6.5.2	Adjusting the topping length.	16
6.6	Shielding.....	17
6.7	Roof hatch sealing.....	17
7	Transport	17
8	Troubleshooting.....	18
9	Fault log.....	19
10	Ordering.....	19
11	Warranty	20
12	Explanation of pictograms	21
13	Notes	22



1 EC DECLARATION

Machine : Onion topping machine
Brand : Holaras
Type : AS 10

NL - Verklaring van conformiteit

Wij, Hoopman Machines B.V., Dinxperlosestraatweg 145, NL-7122 JP Aalten, Nederland, verklaren hiermee dat de hier vermelde machine, waarop deze verklaring betrekking heeft, in overeenstemming is met de normen en normatieve documenten, overeenkomstig de bepalingen van de EG-richtlijnen 98/37/EG en 2006/42/EG (en wijzigingen zoals laatstelijk gewijzigd), onder onze exclusieve verantwoordelijkheid valt.

D - Konformitätserklärung

Wir, Hoopman Machines B.V., Dinxperlosestraatweg 145, NL-7122 JP Aalten, Niederlande, erklären hiermit, dass die bezeichnete Maschine aufgrund ihrer Konzipierung und Bauart sowie in der von uns in Verkehr gebrachten Ausführung den einschlägigen grundlegenden Sicherheits- und Gesundheitsanforderungen der EG-Maschinenrichtlinie 98/37/EG und 2006/42/EG entspricht.

GB - Declaration of Conformity

We, Hoopman Machines B.V., Dinxperlosestraatweg 145, NL-7122 JP Aalten, The Netherlands, declare on our exclusive responsibility that the machine described, to which this declaration refers, conforms to the norms and normative documents as defined in the provisions of 98/37/EC and 2006/42/EC.

F - Déclaration de conformité

Nous, Hoopman Machines B.V., Dinxperlosestraatweg 145, NL-7122 JP Aalten, Pays Bas, déclarons que l'outil sous-mentionné, qui fait l'machine de la déclaration, se trouve, sous notre responsabilité exclusive, en conformité avec les normes et documents normatifs conformément aux dispositons des directives 98/37/CE en 2006/42/CE.

DK - Overensstemmelsesattest

Vi, Hoopman Machines B.V., Dinxperlosestraatweg 145, NL-7122 JP Aalten, Holland, erklærer, at det her anførte maskine, som erklæringen referer til, ene og alene står under vores ansvar i overensstemmelse med standarderne og de normgivende dokumenter, svarende til bestemmelserne i henhold til 98/37/EG, 2006/42/EG.

I - Dichiarazione di Conformità

Hoopman Machines B.V., Dinxperlosestraatweg 145, NL-7122 JP Aalten, Olanda, con la presente dichiariamo che macchina sotto elencati, ai quali si riferisce la presente dichiarazione, sono conformi alle normative e alle documentazioni normative come da direttive n 98/37/EG, 2006/42/EG, e di questo ci assumiamo la piena responsabilita

Aalten, _____ (date)

_____ (signature)

_____ (name)

2 TECHNICAL INFORMATION

2.1 Process description

The onion topping machine is designed for removing the haulm, foliage and loose leaves from onions and flower bulbs. The product is transported by means of a vibrating screen bed. Rotating blades are fitted below the screen bed, which create a vacuum to draw the foliage in. Depending on the moisture content, size and unwanted product, this vacuum can be optionally varied. This can help to create more capacity or preserve sensitive product. The rapidly rotating blade cuts the foliage. The clean product continues through the machine while the foliage is removed.

The process is highly dependent on the position of the machine. The machine can be moved forward according to the product and level of soiling. This helps to increase the capacity. In addition, the correct through-fall from the screen is also an important factor. This allows the product to position itself quickly so that the foliage can be cut off. In addition, clean screens and sharp blades are important conditions for an optimal product.

Ensure that the machine is sufficiently clean on the inside. This aids air flow and vibration. Fit new blades, if necessary. Tighten them carefully. You can then fit the screen and secure it to the cones provided.

Start the machine fully before passing product over the topper. Depending on the product, it will loosen minimally over the entire length of the screen bed so that the product almost 'floats' and can be transported. This movement, together with the minimal forward positioning of the machine, will cause the product to 'roll'. This is essential for a properly finished product.

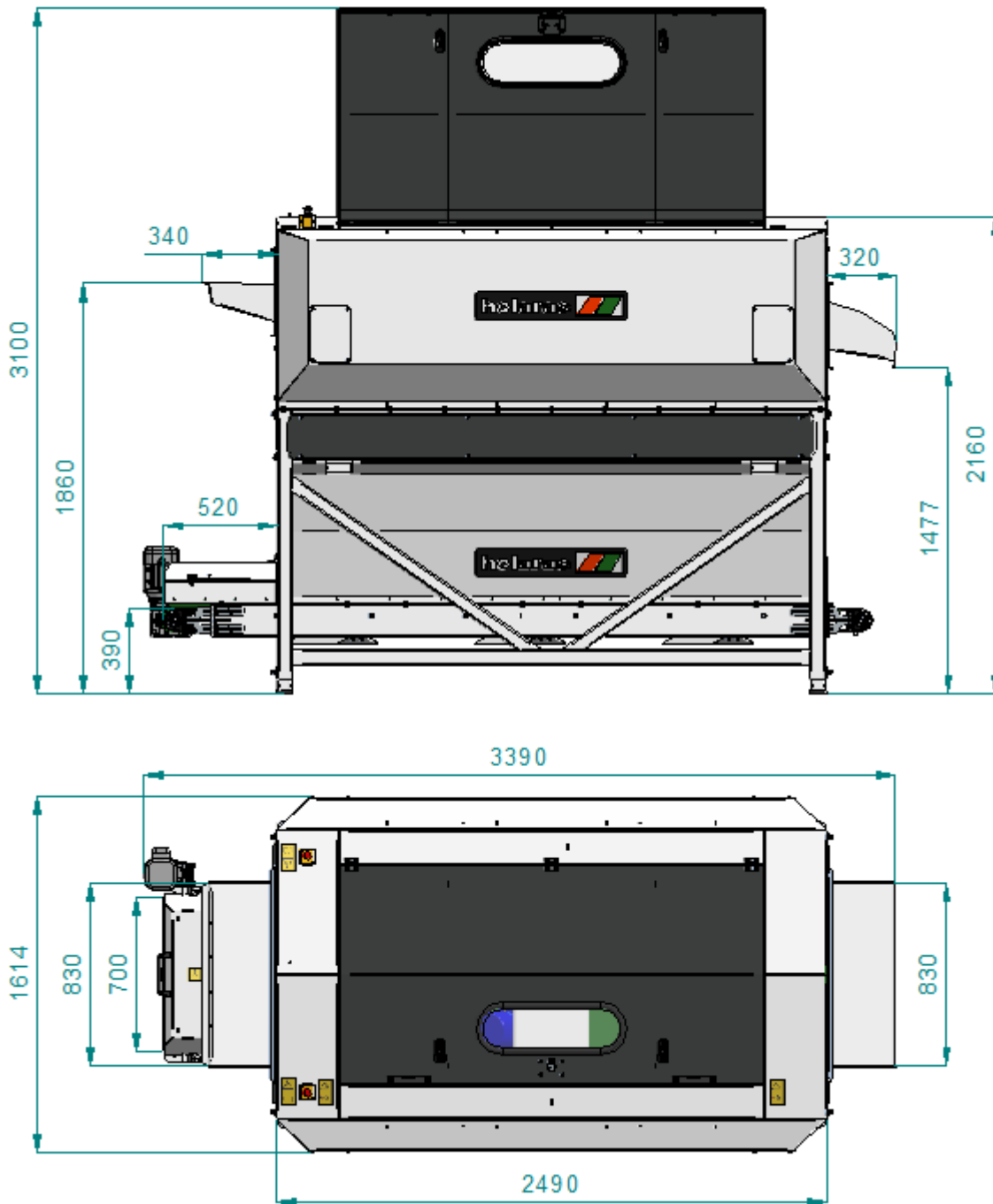


2.2 Technical specifications

Technical specifications of the AS 10:

AS 10 standard:

Machine dimensions (L x W x H):	3400 x 1620 x 3100 mm
Power requirement:	12 kW
	400+N V/AC 50 Hz/32 A
Capacity:	approx. 7 - 9 tonnes/hour (depending on product)
Weight:	+1450 kg
Sound:	85 dB(A) (depending on options)



All specifications subject to change. Subject to technical amendments.

3 SAFETY

3.1 General safety information

1. Read the manual carefully before operating the machine.
2. Protective devices must be kept in place and must not be removed.
3. Always check the machine before use.
4. Keep unauthorised persons away from the machine. They must remain a safe distance from the machine.
5. The machine must never be overloaded. The capacity of the machine is at its highest when it is loaded correctly.
6. Only use the machine for the work that it was designed for.
7. Always keep the machine in optimal condition. Proper maintenance of the machine is essential to keeping it reliable and safe to operate. Follow the instructions for cleaning and maintenance.
8. Ensure that the machine is disconnected from the mains before carrying out any maintenance work.
9. Check for damaged or worn parts. If parts are damaged or worn, replace or repair them immediately.
10. Never allow the machine to run unattended.
11. Alcohol, medication and drugs. You should never operate the machine if you are under the influence of any of these substances.
12. Ensure that the machine is disconnected from the mains before carrying out any work on electrical equipment, motors, etc.
13. The machine must not be used if any protective covers or other protective devices have been removed. If protective covers were removed during transport or repair, they must be re-attached properly before the machine is put (back) into operation.
14. **WARNING:** The warnings, safety information and instructions in this manual cannot cover all possible circumstances and situations. The user must understand that common sense and caution are factors that cannot be integrated into this product, but must nevertheless be exercised by the user.

3.2 Specific safety information

1. Do not put the machine into operation until it is fully connected.
2. If any part of the machine is defective, missing or does not function correctly, switch the machine off immediately and repair or replace the part in question.
3. Never put any body parts inside the machine when it is in operation.
4. Beware of sharp or protruding parts.
5. Keep unauthorised persons away from the machine area during operation.
6. You may only switch the machine on if one safety key is present and it is inserted in the key slot on the cabinet or the roof hatch of the topper. You will have received one spare key with the machine. This can be found in the switch cabinet. Only use this spare key if you have lost the original key. You can re-order a key, if necessary.
7. If it is an open model, it must be installed in a separate, dedicated enclosed space. This space must be equipped with a single access point with safety lock.
8. Never put body parts between the roof hatch and the machine when closing the roof hatch.

Labels: Observe all regulations and pictograms displayed on the machine.

General information: Working safely is a matter of common sense and staying alert while working with the machine.

Warning!

Stay alert, even when you have become familiar with the machine. Remember that a moment of inattention can lead to serious injury.

4 SITING AND INSTALLATION

Site the machine in a space where the ambient temperature is 5 - 40°C to prevent defects from occurring. The machine is not designed for use outdoors.. Any external factors must be indicated by the customer in order that the system can be adapted accordingly.

4.1 Installation and positioning

To install, proceed as follows:

1. Depending on the transport: start by placing the protective covers on the long side. Tilt the cover slightly so that it can be slid under the top edge. The bottom edge can then be positioned by pushing it in the direction of the machine. Then, tighten all bolts/nuts (Figure 1).
2. Depending on the transport: then, install the roof hatches. Fit the hinges to the centre beam of the machine so that they can still move/slide somewhat. Then, move the roof hatches into position and fit them to the hinges. Tighten the bolts firmly. Then, close the roof hatch. Position the roof hatch so that there is an evenly sized gap all around. You can now tighten the bolts in the hinge/centre beam. Then, attach the gas springs upside down.
3. Position the machine. The machine works at its best when it has a minimum descent angle of 1 to 2 degrees. Use the adjustment feet to tilt the machine forwards (Figure 2). Loosen bolts A. Then, adjust the machine by turning nut B. Then, retighten bolts A. Evenly adjusting the pressure on the four adjustment feet is essential. This ensures that the machine is stable. The degree of expansion of the rubber adjustment feet, part C, best illustrates this (Figure 2).
4. Position the locks so that the key turns easily. In addition, adjust the fasteners so that they can be closed with minimal force (Figure 3).
5. Install a platform around the machine.
6. Over the first few weeks/months of operation, the vibrating elements will settle. Check that they are sufficiently clear of the screen. There should usually be 6 - 8 mm between the top of the blade and the bottom of the screen.
7. Ensure that the infeed belt is as wide as possible. Infeed from the centre will also increase the capacity as it makes better use of the full surface (of the first screen).
8. Position the switch cabinet and separate control cabinet, if applicable.
9. Connect the cables to the switch cabinet.
10. Then, connect the main power supply to the switch cabinet (see electrical diagram).
11. After installation, check all directions of rotation of the machines and adjust them as necessary.
12. Check all protective covers and ensure that they are firmly secured.

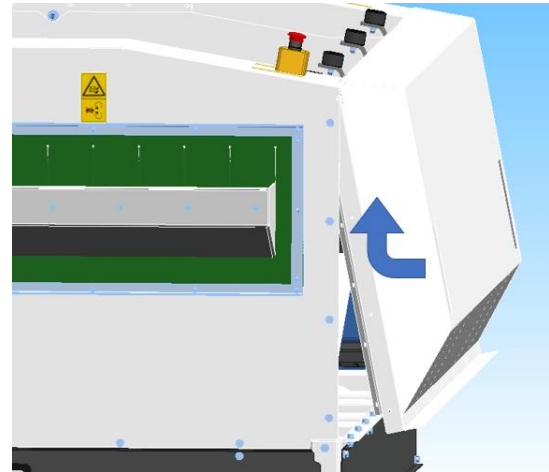


Figure 1. Installing the protective cover

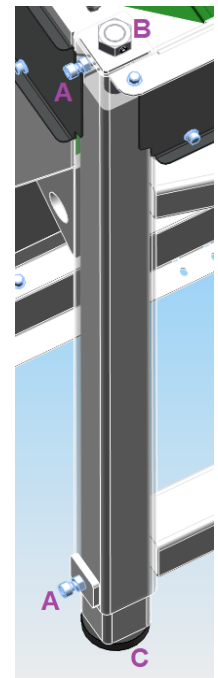


Figure 2. Adjustment feet

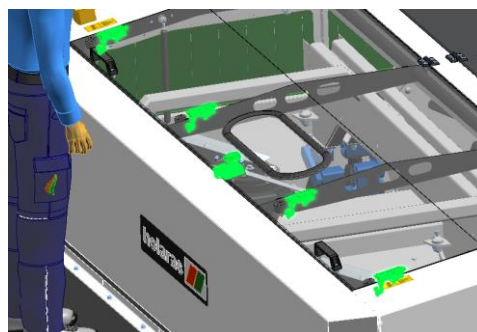


Figure 3. Lock and fasteners

4.2 Electrical connection

Connecting to the mains

- Connect the machine to the mains as outlined in the electrical circuit diagram.
- Check that the connection meets the following specifications (voltage, frequency and number of phases).
- Check the connection.
- Check the directions of rotation and remove one, if necessary.

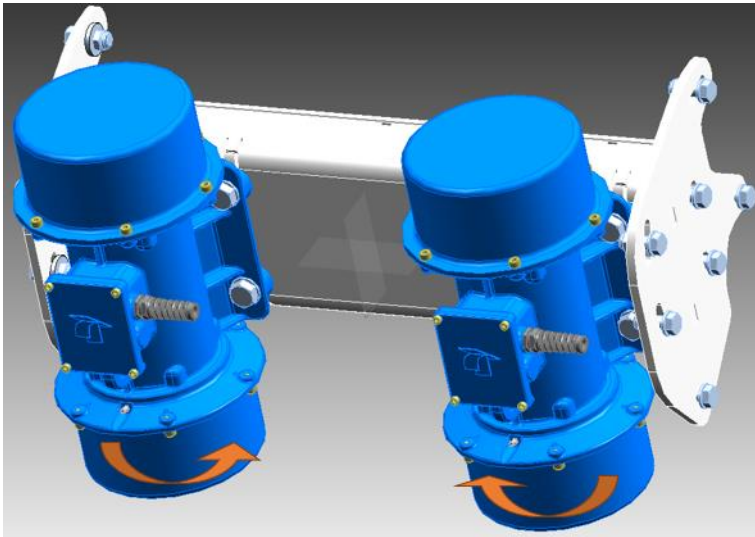


Figure 4. Direction of rotation of vibrating motor

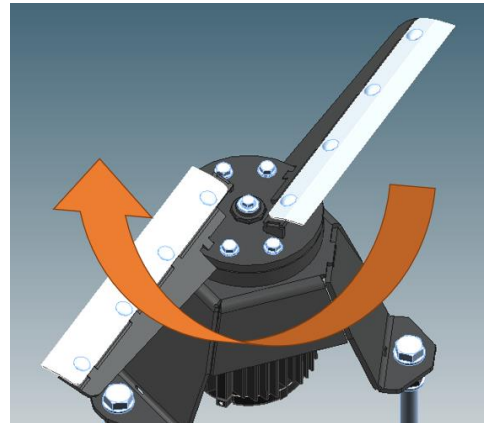


Figure 5. Direction of rotation of blade

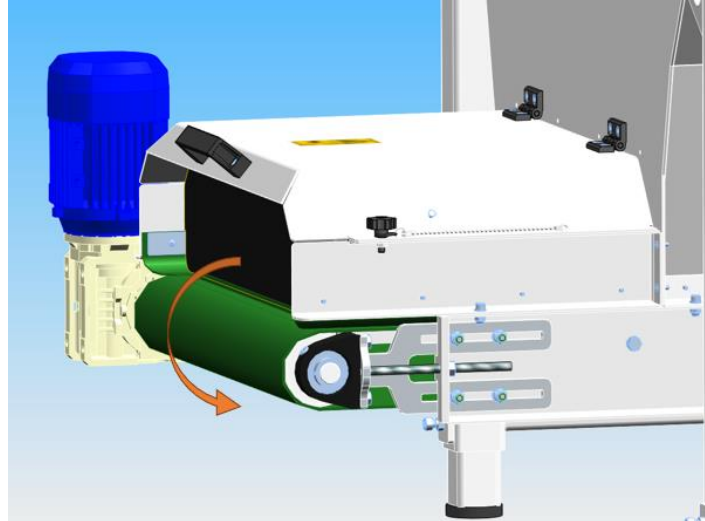


Figure 6. Direction of rotation of discharge belt

Disconnecting from the mains

Ensure the machine is disconnected from the mains if:

- Maintenance work or repairs are carried out on the machine.
- The machine is not going to be used for an extended period of time.

Earthing

The machine must be earthed by connecting the yellow/green wire of the connecting cable to the earth of the power supply. The machine must always be connected to earth before connecting to the power supply.

5 OPERATION

5.1 Operator panel

See Figure 7.

- a) **Main switch.**
This switch, which is located on the side of the control cabinet, switches the power to the system on. Turning the knob clockwise turns the power on.
- b) **Start system.**
This switch starts up the entire system. The screen bed and discharge belt will start up first, followed by the blade motors.
- c) **Stop system.**
This switch stops the entire system. The blade motors are switched off first. Due to the high rotational speed, it will take around 30 seconds for the blades to come to a complete halt. The vibrating motors and the discharge belt are then switched off.
- d) **Speed control of blade motors (optional).**
You can change the speed according to the product. By doing this, the blades will create more or less vacuum. With a dry product, less vacuum is needed and more capacity can be achieved. With a moist product, maximum speed may be needed to draw in the foliage.
- e) **Blade motors switch.**
This function allows you to switch the blade motors off. The remainder of the machine will continue to run.
- f) **Discharge belt switch.**
This switch will usually be set to automatic. This prevents an accumulation of clippings during the topping process. When cleaning, this switch allows you to operate the discharge belt manually. For safety reasons, the roof hatch must be closed.
- g) **Lighting switch.**
This switch switches the internal lighting on. This will give you a better view of the product in the topper. The windows will need to be cleaned from time to time.
- h) **Reset.**
This switch switches the control current on. The system will then be ready for use. This switch can also be used to reset the alarms.
- i) **Emergency stop.**
In the event of an emergency, you can press this button to stop the machine immediately. An emergency stop is cancelled by twisting the button and pulling it out and switching the control voltage on again. There are several emergency stop buttons around the machine. For the machine to start, none of these should be activated.
- j) **Maintenance key switch.**
Turning this key a quarter turn stops the system. You can then remove the key. Keep the key with you so that no one can start the machine while you are carrying out maintenance work. Re-insert the key and turn it a quarter turn to switch maintenance mode off.
- k) **Remove key indicator.**
After stopping the system, this indicator light will light up after around 30 seconds.
- l) **Key switch.**
This key switch serves as a safety system. Stop the machine first. The indicator light will light up after around 30 seconds and you can remove the key by turning it a quarter turn. You can now use the key to open the roof hatch and carry out the required maintenance. Close the roof hatch afterwards and re-insert the key into the control cabinet. Turn the key a quarter turn clockwise. Then, reset the system to allow you to start the machine.

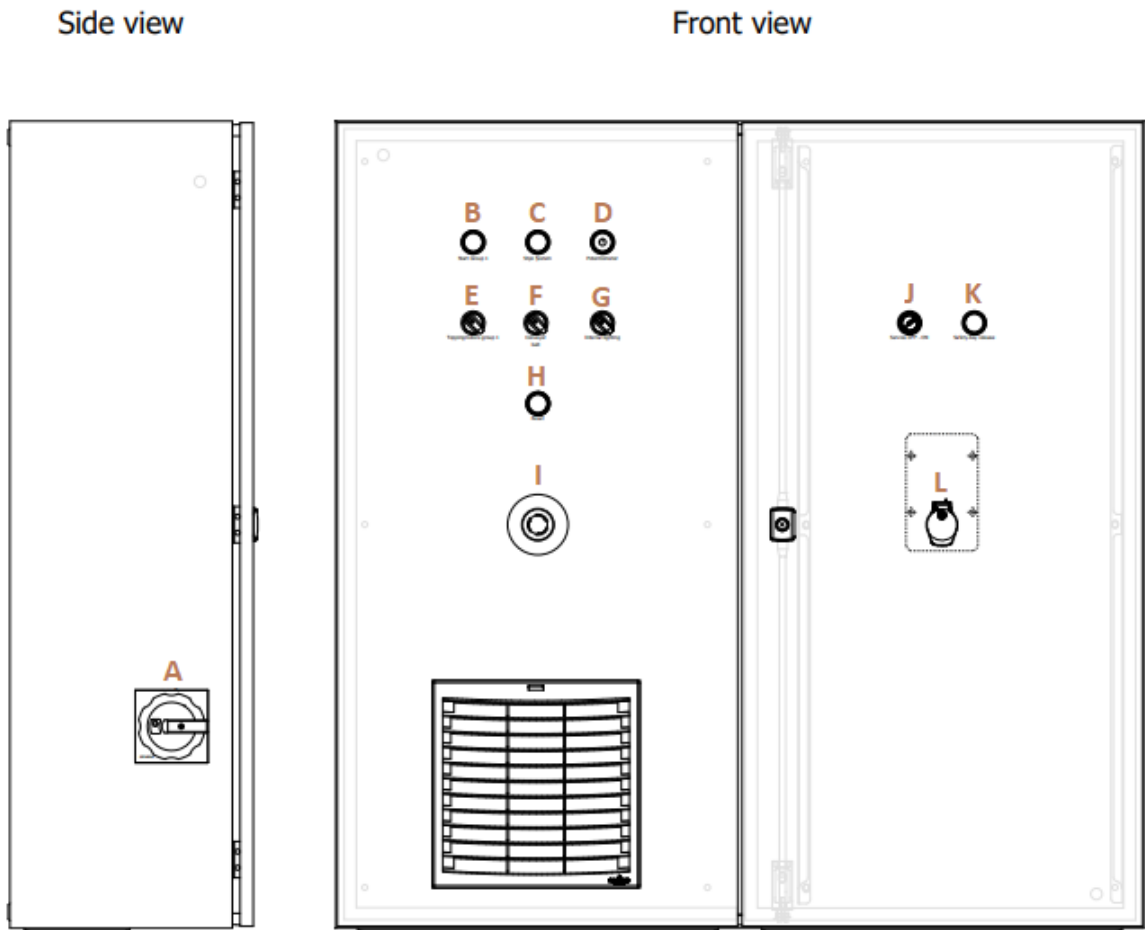


Figure 7. AS15 operator panel

5.2 Protective devices

In the switch cabinet, the motors are protected by the frequency regulator and/or by motor protection switches/fuses. If a motor becomes overloaded, the protective device will switch it off. Once the motor reaches the permissible temperature again, it can be switched back on and/or the frequency regulator can be reset. If a motor's protective device switches off regularly or constantly, locate the cause and rectify the problem. Use the electrical diagram provided, if necessary. If you do not have sufficient knowledge, consult a qualified person.

The 24 V circuit is also protected by a circuit breaker or fuses. If the protective device switches off regularly or constantly, locate the cause and rectify the problem. Use the electrical diagram provided, if necessary. If you do not have sufficient knowledge, consult a qualified person.

5.3 Starting the machine

PLEASE NOTE! Please read this manual carefully before using the machine!

To start the machine, proceed as follows (see Figure 7):

1. Switch the power supply on (switch A).
2. Ensure that all emergency stop buttons are in the correct position (switch I).
3. Press the blue reset button to start the control current (switch H).
4. You can now remove the key from the operator panel by turning it a quarter turn (key switch L).
5. Use this key to then open the roof hatch of the topper (Figure 8).
6. Start by unscrewing the lock, then press the fasteners open.
7. Ensure that the inside of the machine is sufficiently 'clean'. This ensures optimal airflow and maximum capacity.
8. Check the blades for damage and to verify that they are still sharp. Replace the blades, if necessary.
9. Ensure that the screens are clean and firmly secured.
10. If necessary, clean the sight glass in the roof hatch to ensure an optimal view of the product.
11. Close the roof hatch and click the fasteners closed. Then, lock the roof hatch.
12. Insert the key into the operator panel and turn it a quarter turn (key switch L).
13. Turn the 'Topping Motors' switch to 'automatic' (switch E).
14. Turn the 'Conveyor Belt' switch to 'automatic' (switch F).
15. Turn the 'Topping Motors Speed' switch back (optional).
16. Ensure that all emergency stop buttons and the service function are in the correct position.
17. Press the blue reset button to start the control current (switch H).
18. Then, press 'Start System'.
19. The system is now ready to process product.
20. Ensure that the infeed of product is even. Adjust the quantity so that there is a single layer of product on the screen. For optimal capacity, we recommend the widest possible infeed.
21. Turn the 'Topping Motors Speed' switch up (optional).



Figure 8. Roof hatch lock

5.4 Stopping the machine

To stop the machine, proceed as follows:

1. Ensure that the supply of product stops.
2. Press 'Stop System' (switch C, Figure 7). Take the run-down time of the blades into account. For safety reasons, further action is not possible for 30 - 60 seconds.

EMERGENCY SITUATION: In the event of an emergency situation, you can stop the machine immediately by pressing the emergency stop button.

5.5 Emergency stop and reset

You can stop the machine immediately at any time with the emergency stop button. When the emergency stop button is pressed, all functions are reset to their basic position. In the event of an emergency stop, the machine automatically resets and you must restart production.

1. You have activated the emergency stop.
2. Deactivate the emergency stop.
3. Switch the control current on.
4. Reset all alarms.
5. Clean the machine in order to restart production.
6. You can restart production.

6 CLEANING AND MAINTENANCE

6.1 General information

We recommend having a compressed-air system close to the machine. When replacing components such as screens and blades, keeping them clean is essential. You can use this air nozzle to easily clean the mounting points. Parts such as the conical mount can be firmly secured. In addition, the parts also last considerably longer.

Generally speaking, if a topper is clean on the inside, it will have greater capacity. Some of the benefits of a clean machine are:

- Product is transported optimally over smooth bars.
- Product experiences less damage due to clean bars.
- Vibration energy is retained so that more capacity can be achieved.
- Air circulation remains optimal, creating a larger vacuum. This allows the 'product' to pass through the machine faster, thus increasing capacity.

6.2 Discharge belt

Inspect the discharge belt several times a year for cracks and major damage. Replace the belt, if necessary. If the discharge belt is hanging slack, tighten it so that it touches the guides at the bottom (see Figure 9). Ensure the discharge belt is properly aligned so that it fits into the dedicated groove.

Keep the electric motor cover clean of flying clippings/onion skins (Figure 10). This will ensure that it can cool properly. Check this on a weekly basis according to the moisture content of the product.

In the event that the 'air lock' become blocked by an excess of clippings, it can be cleaned easily. The 'air lock' can be opened by unscrewing the two star knobs. Then, lift the lid and remove the material. Close the lid and re-tighten the star knobs (Figure 10).

Lubricate the bearings at the four outer points of the discharge belt on a monthly basis. This will significantly extend the service life of the bearings.

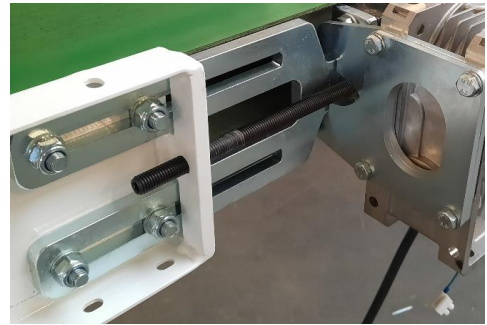


Figure 9. Tensioning unit

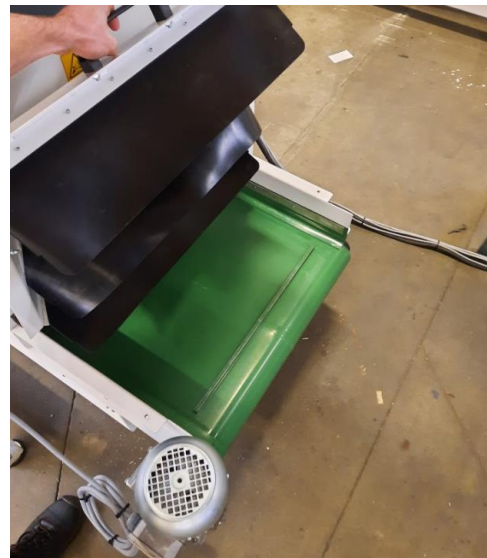


Figure 10. Discharge belt

6.3 Shakers and buffers

PLEASE NOTE! Ensure that the vibration frame is clear of the buffer limit stop. This is indicated by the yellow line in Figure 11. Ensure that the clearance is 6 - 8 mm when the screen bed is unladen. This ensures unimpeded movement of the screen bed and prevents damage.

Depending on the quantity of product and operating hours, the new shaker will settle; the shaker is the blue part in Figure 11. Settlement will be just a few millimetres. If using a new shaker, check this on a weekly basis over a period of six months. If the clearance is less than the 6 mm, you can proceed as follows:

1. Loosen the black round buffer and remove the nut (Figure 11).
2. Then, remove some of the shims from under the buffer.
3. Fit the buffer and check again that it is sufficiently 'clear'.
4. Then, check that the blades are sufficiently clear of the screen. For further information, see paragraph 6.5.

Clean these elements on a monthly basis so they can move unimpeded. Check them on an annual basis for cracks and replace, if necessary. In addition, check the bolted connections and tighten them, if in any doubt.

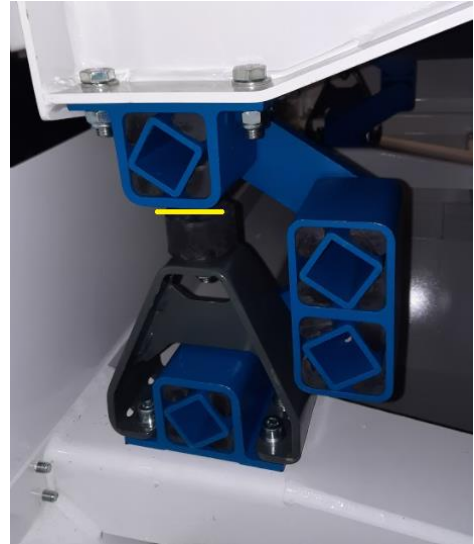


Figure 11. Shakers

6.4 The screen

Clean screens are essential for an optimal product. Ensure that the screens are cleaned on a regular basis. This may be on a daily or weekly basis, depending on the moisture content and soiling. This can be done by means of a scraper or by replacing the entire screen. The operator can replace the screen easily. To do this, proceed as follows:

1. Loosen the four Allen bolts (Figure 12). These bolts may be full of clippings. Start by cleaning the bolts with an air pistol/scraper.
2. Then, remove the screen.
3. Before fitting the clean screen, check that the attachment points are free of dirt (Figure 13).
4. In addition, the Allen bolts may exhibit wear. Replace them promptly to avoid the risk of not being able to release them.
5. You can now fit the clean screen. Screw in the four bolts a few turns. Then, tighten the two bolts at the conical attachment followed by at the two flat attachment points. This will allow the screen to centre properly on the cones.

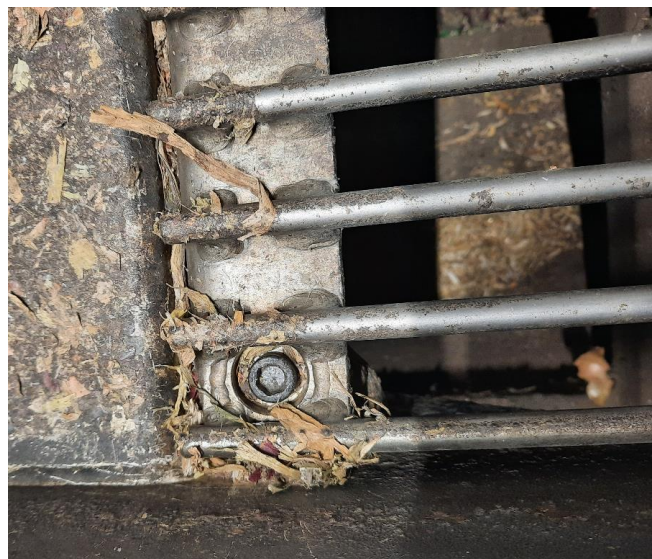


Figure 12. The screen

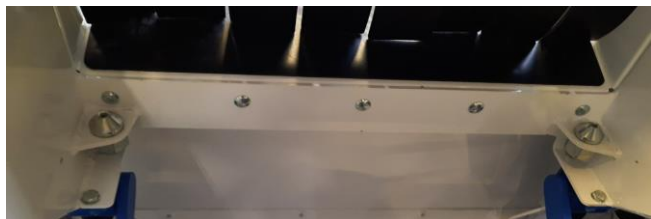


Figure 13. Screen attachment points

6.5 The cutting blade unit

6.5.1 Replacing the blade holder.

The blade will exhibit wear according to the number of operating hours, the product and unwanted materials. The blades are hardened and made of special material. To avoid danger, do not attempt to forge blades yourself. If necessary, you can sharpen the blade once with a small hand grinder. If the blades exhibit more extensive damage, they should be replaced (Figure 14). To do this, proceed as follows:

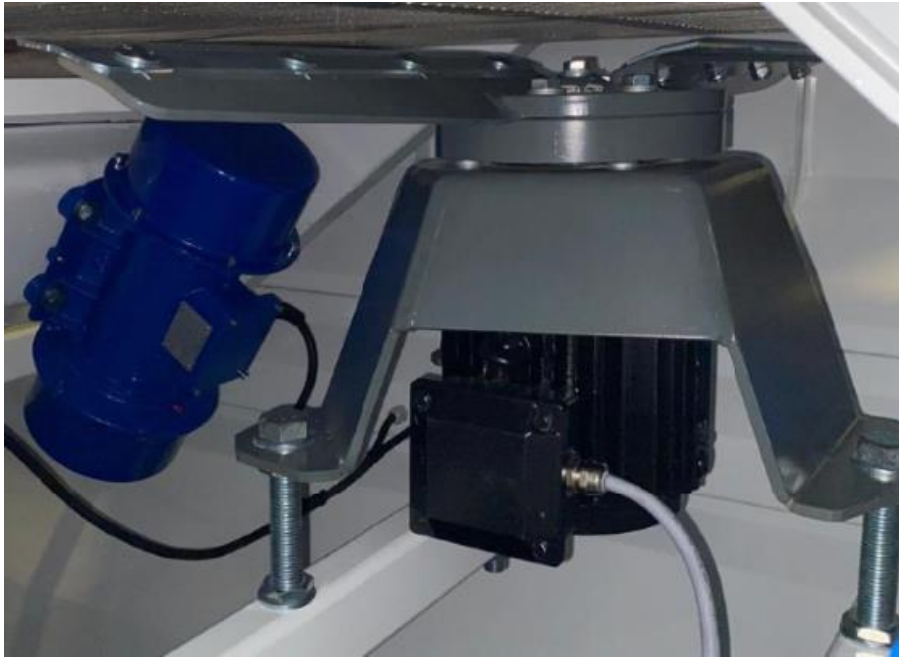


Figure 14. The cutting blade unit

1. Switch the machine off or to maintenance mode as for all maintenance work.
2. Open the roof hatch and remove the screens as outlined in paragraph 6.4.
3. You can now remove the 'blade holder' fully from the hub. This is done by unscrewing the four bolts. The hub can remain on the motor shaft.
4. If you have an additional set of blade holders, including new blades, you can fit them immediately. Ensure that the attachment points are free of dirt to avoid damaging the threads. The tightening torque is 80 Nm.
5. If not, remove the blades from the blade holder.
6. Fit the new blades, including new carriage bolts and nuts, to the blade holder. Always replace both blades. This helps with balance. The tightening torque is 40Nm.
7. Next, fit the blade holder to the hub. Ensure that the attachment points are free of dirt to avoid damaging the threads.
8. Tighten the bolts, including lock washers, firmly.
9. Then, insert the screen as outlined in paragraph 6.4.

6.5.2 Adjusting the topping length.

PLEASE NOTE! Ensure that the blade is clear of the vibration frame. This is shown in Figure 15. Ensure that the clearance is 8 - 12 mm when the screen bed is unladen. This ensures the unimpeded rotation of the blade and prevents damage.

The vibration frame will settle as outlined in paragraph 6.3 according to the quantity of product and the operating hours. Settlement will be just a few millimetres. If using a new shaker, check this on a weekly basis over a period of six months. If the clearance between the blade and screen is less than the 8 mm, you can proceed as follows:

1. Switch the power supply off or switch the machine to maintenance mode. Open the roof hatch and remove a screen. Remove the screen from a blade that you are not going to adjust. You can now climb into the machine and sit on the discharge belt. Beware of sharp parts.
2. Unscrew nut number 2. Turn through the resistance created by the Nord Lock washers. Then, turn a few turns to create enough clearance (Figure 15).
3. Do this three times so that the whole motor mount comes loose from the tubes.
4. Now, turn nut number 1 (see Figure 15) upwards in equal turns at all three points. A few turns is sufficient as only a few millimetres are needed. Doing this in equal turns will lower the cutting blade unit evenly and make alignment easier.
5. Check the spacing so that there is a clearance of at least 8 mm. This is the distance from the top of the blade to the bottom of the screen. Manually rotate the blade to check that it is equally spaced on all sides by at least 8 mm. Act with caution and be careful with your fingers!
6. Then, tighten nut number 2 firmly. The tightening torque is 400 Nm.
7. Do this three times so that the whole motor mount is firmly seated.
8. Repeat this for the other cutting blade units so that all the blades have the same clearance to the screen and there is a nice 'topping pattern'.

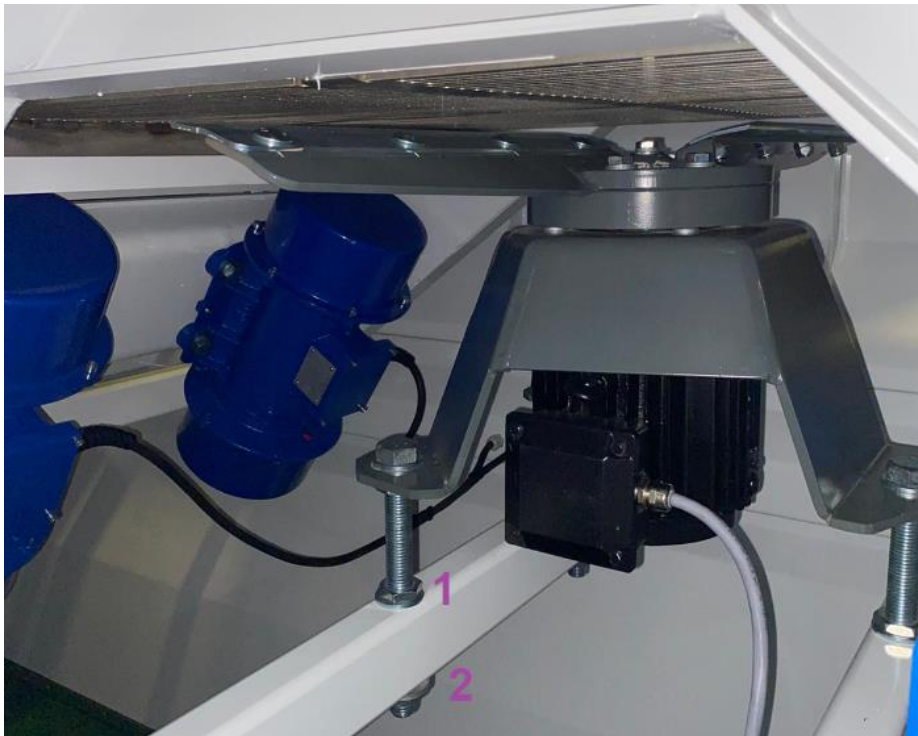


Figure 15. Topping length

6.6 Shielding

Despite the use of detectable material including food certification, we recommend replacing the material in the event of cracks/damage. This prevents parts from finding their way into the product. In the event of extensive damage, there is a risk of objects being ejected due to the rotation of the blades. Replace the shielding promptly to prevent dangerous situations from occurring. This applies to both the infeed and discharge sides.



Figure 16. Shielding



Figure 17. Roof hatch sealing

6.7 Roof hatch sealing

Clippings can accumulate along some edges over time. These will impede smooth closure of the roof hatch. To avoid damage to hinges and locks, we recommend that you blow the roof hatch surround clean from time to time (Figure 17).

7 TRANSPORT

Use the lifting eyelets to secure the machine for safe transport. These are shown in Figure 18. Attach the lashing straps to the four lifting eyelets and brace them outwards so that the topper remains firmly in place during transport.

Use the same four lifting points to hoist the machine.

If this is not possible, use the 'green selected' tubes. This applies only to loading and unloading of the machine at low height (max. 1.5 metres).

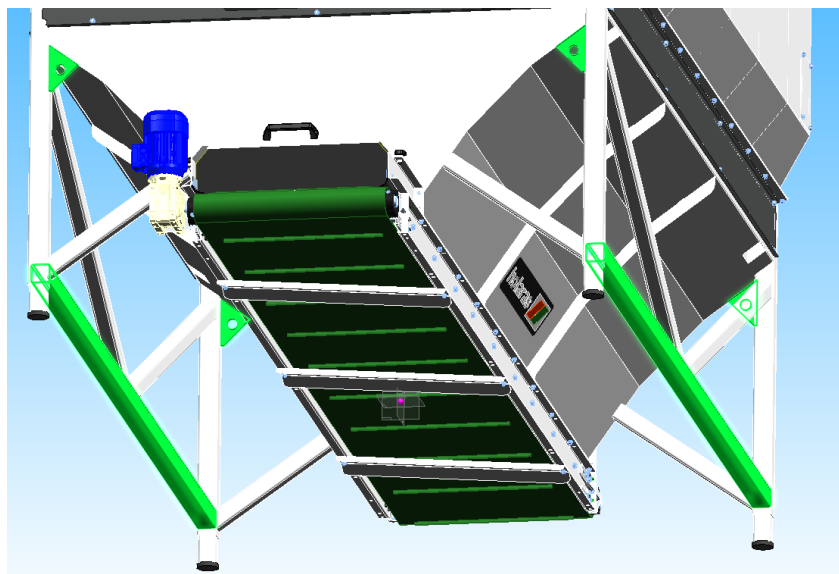


Figure 18. Lifting points

8 TROUBLESHOOTING

Problem	Possible cause	Resolution
Machine does not start	<ol style="list-style-type: none"> 1. There is no power supply 2. A motor protection switch is switched off 3. The control current is switched off 4. Keys are not present or not activated 5. The emergency stop has been activated 	<ol style="list-style-type: none"> 1. Reconnect the power supply and switch the machine on 2. Check all safety switches 3. Switch the control current on 4. Activate the keys by turning them a quarter turn 5. Check whether the emergency stop has been activated and deactivate it
Entire machine is unstable/vibrating	<ol style="list-style-type: none"> 1. Stabilisation incorrect 2. Vibration frame hitting the limit stop 3. Direction of rotation of vibrating motors is incorrect 4. Vibration frame hitting other object/machine 	<ol style="list-style-type: none"> 1. See paragraph 4.1, adjust the support legs 2. Lower the limit stop, see paragraph 6.3 3. Check the direction of rotation, see paragraph 4.2 4. Clean the inside of the machine Create more space between the vibration frame and the interfering object/machine
Vibration frame does not transport anything/enough	<ol style="list-style-type: none"> 1. Screen lubrication or damaged 2. Machine is too far back 3. Shaker loose or damaged 4. Vibrating motor incorrectly adjusted 5. Vibration frame hitting the limit stop 	<ol style="list-style-type: none"> 1. Clean or repair the screen 2. Adjust the support legs, see paragraph 4.1 3. Tighten or replace as necessary 4. Check direction of rotation and weight at 85% 5. Lower the limit stop, see paragraph 6.3
Topping quality insufficient	<ol style="list-style-type: none"> 1. Blade(s) are not rotating 2. Air circulation too low due to soiling 3. Blade(s) not sharp enough 4. Machine is too far forward 5. Product supply too high 	<ol style="list-style-type: none"> 1. Check whether the blade is blocked Check the circuit breaker/fuse 2. Clean the inside of the machine 3. Replace the blades 4. Adjust the machine so that it is more horizontal 5. Reduce the supply of product
Blade holder or screen cannot be fitted	<ol style="list-style-type: none"> 1. Blade or screen damaged 2. Dirt between attachment points 3. Thread damaged 	<ol style="list-style-type: none"> 1. Repair the damage or replace the blade or screen 2. Remove the dirt so that attachment surfaces are clean This also applies to the thread at the attachment points Use a little grease, if necessary 3. Replace the part
There is a rattling sound	<ol style="list-style-type: none"> 1. Blade set too high 2. Shaker damaged 3. Blade or blade holder damaged 4. Motor shaft bent 5. Screen damaged 	<ol style="list-style-type: none"> 1. Adjust the blade unit lower. See paragraph 6.5.2 2. Replace the shaker 3. Replace the blades or blade holder 4. Replace the motor 5. Repair or replace the screen

This table is intended only as an aid for troubleshooting the machine. If you cannot resolve problems yourself safely, consult qualified personnel.

Please note! Work on the electrical section may only be carried out by a qualified electrician.

9 FAULT LOG

If a fault occurs with your SLSS, you can enter the details in the fault log below. If you use this list, we will be able to help you resolve any problems faster and more effectively. In addition, it is an easy way for you to keep track of any faults that occur regularly. This allows for more effective intervention in the event of repairs.

Date	Problem	Resolution	Resolved by

10 ORDERING

You can always order spare parts for your machine. All parts can be found in the spare parts book, which is supplied with your machine together with this manual. It is important that you always state the year of construction, type and serial number of your machine when ordering.

11 WARRANTY

Hoopman Machines B.V. applies the following warranty conditions:

1. The contractor guarantees the proper implementation of the agreed performance for a period of six months following delivery.
2. If the agreed performance consists of the carrying out of work, the contractor guarantees the quality of the supplied construction and materials used for the period referred to in paragraph 1, provided that the contractor was free to choose in that regard. If the supplied construction or the materials used prove to be of insufficient quality, the contractor shall repair or replace them. Those parts that are repaired at the contractor's premises or replaced by the contractor must be sent to the contractor carriage paid. Disassembly and assembly of these parts and any travel and accommodation expenses incurred shall be borne by the client.
3. If the agreed performance consists of the processing of materials provided by the client, the contractor guarantees the quality of the processing for the period referred to in paragraph 1.
4. If the processing proves to be of insufficient quality, the contractor shall decide whether to:
 - Carry out processing again. In that case, the client must supply new materials at its own expense
 - Repair the defect. In that case, the client must return the materials to the contractor carriage paid
 - Credit the client for a proportional part of the invoice.
5. If the agreed performance consists of the delivery of an item, the contractor guarantees the quality of the delivered item for the period referred to in paragraph 1. If the delivery proves to be of insufficient quality, the item must be returned to the contractor carriage paid. Thereupon, the contractor shall decide whether to:
 - Repair the item
 - Replace the item
 - Credit the client for a proportional part of the invoice
6. If the agreed performance consists (partly) of the installation and/or assembly of a delivered item, the contractor guarantees the quality of the installation and/or assembly for the period referred to in paragraph 1. If the installation and/or assembly proves to be of insufficient quality, the contractor shall repair it. Any travel and accommodation expenses incurred shall be borne by the client.
7. A manufacturer warranty applies to those parts for which the client and contractor have explicitly agreed in writing. If the client has had the opportunity to familiarise itself with the content of the manufacturer warranty, it shall replace the warranty under this article.
8. In any event, the client must give the contractor the opportunity to repair any defect or to carry out processing again.
9. The client may only invoke the warranty once it has fulfilled all of its obligations towards the contractor.
10. a) No warranty is granted for defects resulting from:
 - Normal wear
 - Improper use
 - Maintenance not carried out or carried out incorrectly
 - Installation, assembly, modification or repair by the client or by third parties.b) No warranty is granted for delivered items that were not new at the time of delivery.

12 EXPLANATION OF PICTOGRAMS



Read the manual before commissioning



Danger due to rotating parts



Do not stand under the cutting flap until the shield is in place



Never reach into or step into the container when the machine is operational



During operation, stay out of the area of the cutting flap



Work on the machine is only permitted when the cylinder protective device is in place



Do not remove the shield when the machine is operational



Do not open the shield when the machine is operational



Stay out of the clamping area when the part is moving



Do not touch machine parts until they are completely stationary



Lubrication point

